



Mobile Screening Plants

MOBISCREEN

MS 702 EVO | MS 703 EVO | MS 952 EVO | MS 953 EVO



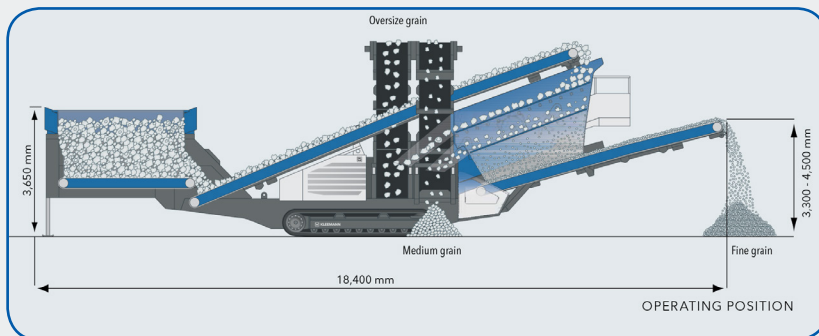
Head Office

Jl. Lingkar Luar Barat No.3 Rawa Buaya-Cengkareng
Jakarta Barat – Indonesia 11740

Telp : (62 21) 581 68 99 (Hunting) Fax : (62 21) 583 01 788, 583 57 099

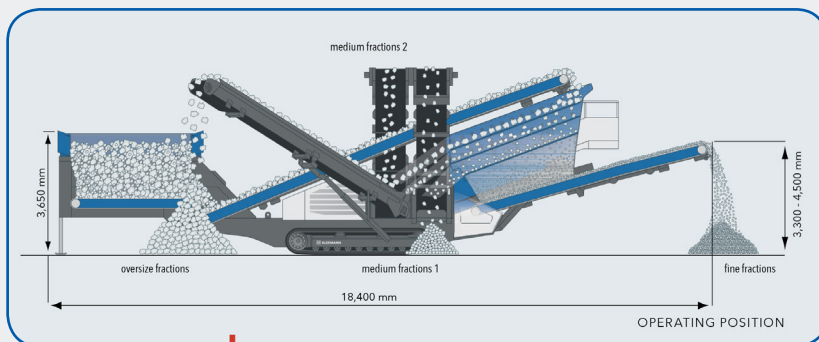
Email : info@gmtractors.com | Website: www.gmtractors.net

Feeding Unit	MS 702 EVO	MS 703 EVO	MS 952 EVO	MS 953 EVO
Feed capacity up to approx. (t/h)	350	350	500	500
Feed size max. (mm)	150 x 150	150 x 150	150 x 150	150 x 150
Feed height - foldable slotted grate (mm)	3,650	3,650	3,650	3,650
Hopper volume (m ³)	8	8	8	8
Hopper discharge conveyor				
Width x Length (mm)	1,200 x 3,500	1,200 x 3,500	1,200 x 3,500	1,200 x 3,500
Feeding conveyor				
Width x length (mm)	1,200 x 10,400	1,200 x 10,400	1,200 x 12,000	1,200 x 12,000
Screening unit				
Type	Double-deck screen	triple-deck screen	double-deck screen	Triple deck screen
Width x length (mm)	1,550 x 4,500	1,550 x 4,500	1,550 x 6,100	1,550 x 6,100



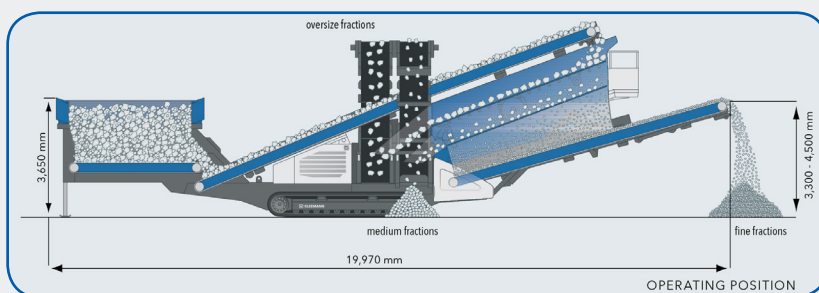
MOBISCREEN MS 702 EVO

- » Mobile double-deck screening unit
- » Diesel-hydraulic drive
- » Classifying screen plant
- » Maximum feed size 150 mm



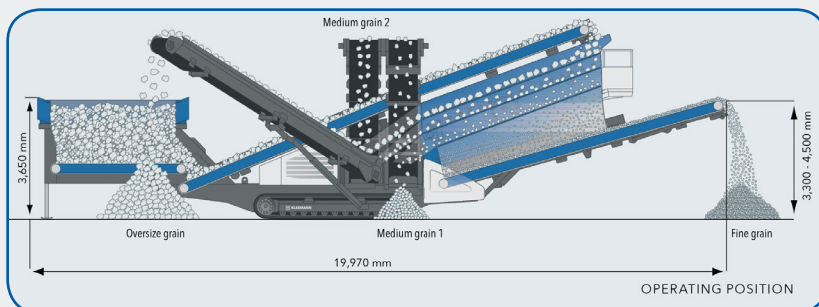
MOBISCREEN MS 703 EVO

- » Triple-deck screening unit
- » Diesel-hydraulic drive
- » Classifying screen
- » Max. feed size: 150 mm



MOBISCREEN MS 952 EVO

- » Double-deck screening unit
- » Diesel-hydraulic drive
- » Classifying screen
- » Max. feed size: 150 mm



MOBISCREEN MS 953 EVO

- » Mobile triple deck screening unit
- » Diesel-hydraulic drive
- » Classifying screen plant
- » Maximum feed size 150 mm

THE SPECIFICATIONS ARE SUBJECT TO CHANGE WITHOUT NOTICE. THE PICTURES MAY INCLUDE OPTIONS. THE ACTUAL COLOR & APPEARANCE OF THE PRODUCT MAY DIFFER FROM WHAT IS SHOWN.

Networking

Semarang | Surabaya | Denpasar | Medan | Pekanbaru | Palembang | Batam | Balikpapan | Banjarmasin | Makassar | Kendari | Manado